

# INSTALLATION GUIDE

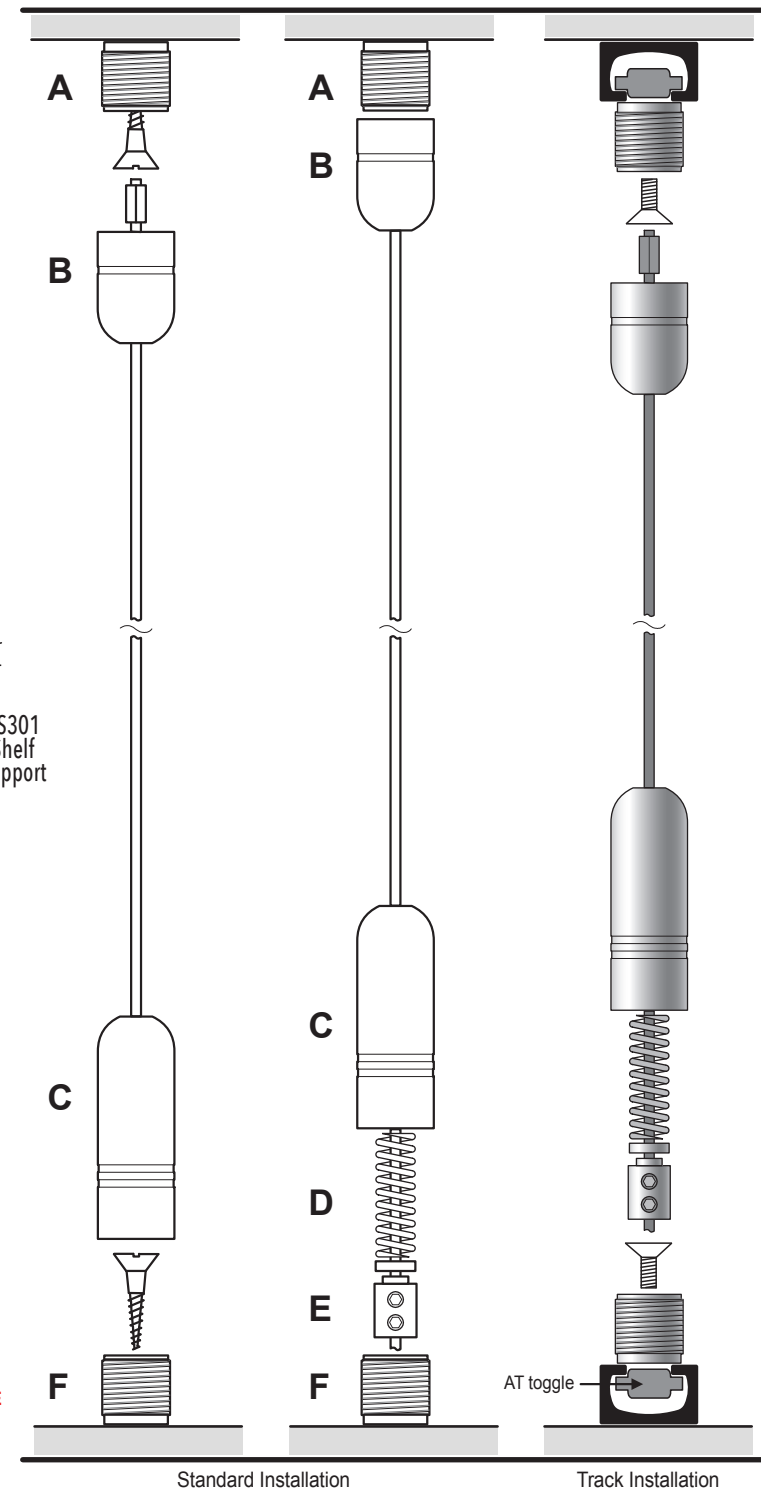
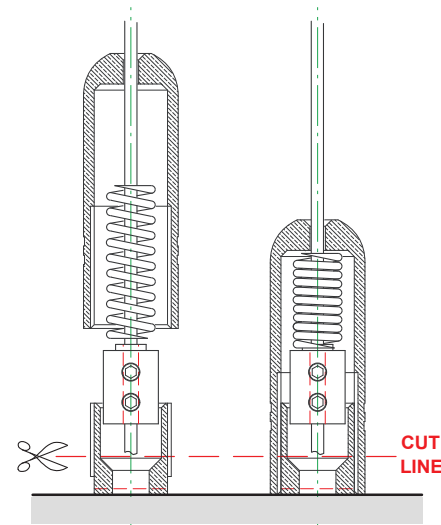
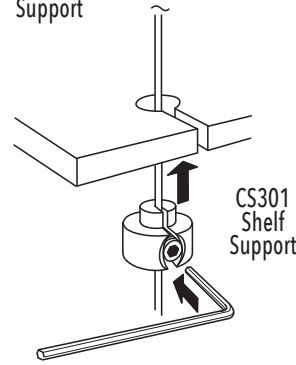
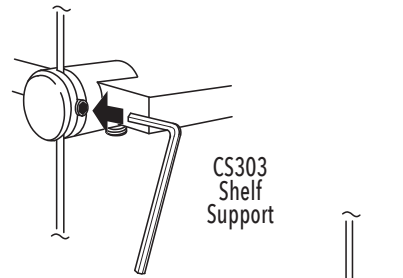
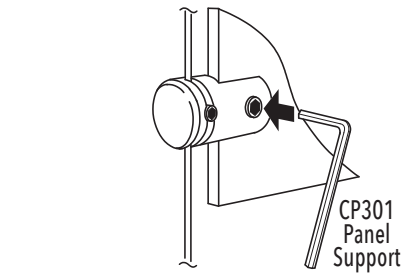
## C301-4M/SS Cable Assembly 3mm CABLE SYSTEMS / CEILING-TO-FLOOR

**IMPORTANT:** It is essential to check that the top ceiling fixings are strong enough to take the weight of the items being displayed while allowing for the tension in the cables.

- 1) Affix fitting (A) to ceiling:
  - for wood stud walls use a wood screw.
  - for cavity/plaster wall use a **spring toggle bolt** (this option needs to be tested).
  - for solid/concrete wall use a raw-plug and screw.
- 2) Screw fitting (B) to fitting (A).
- 3) Using a plumb-line, descend from (A), and fix (F) to floor using appropriate type of fixing.
- 4) Loosen the grub screws in fitting (E), using the Allen key provided, and slide fittings (C), (D), and (E) up the cable.
- 5) Pull down and cut off excess cable as per diagram.
- 6) Tighten (E) on the end of the cable.
- 7) Adjust the tension of the cable by screwing (C) into (F).
- 8) Attach the panel and shelf support fittings onto the cables, space them out and secure at the desired position.
- 9) Attach panel and shelf accessories.

**NOTE:** It is important to check the strength of all fixings. NOVA DISPLAY SYSTEMS takes no responsibility for incorrect installation. This responsibility rests with the installer. **Cables are not supplied with fixing screws.**

**\*\*\* DO NOT INSTALL INTO PLASTERBOARD (DRYWALL) WALLS IF YOUR APPLICATION INCLUDES GLASS SHELVES OR OTHER HEAVY ITEMS.**



**NOVA DISPLAY**  
INNOVATIVE DISPLAY SOLUTIONS

Nova Display Systems, Inc.  
875 Wilson St., Ste. A-B  
Eugene, OR 97402  
541.505.7450  
541.505.9919 fax  
sales@novadisplaysystems.com  
www.novadisplaysystems.com

### Wall Display Concept

ID: **DC3305**  
**DC3306**  
**DC3307**  
**DC3310**

Title: Wine-Cellar Display

### Installation Guide

ID: **DC3305-INST**  
**DC3306-INST**  
**DC3307-INST**  
**DC3310-INST**

**NOTE:** It is important to check the strength of the wall fixing(s). NOVA DISPLAY SYSTEMS takes no responsibility for incorrect installation. This responsibility relies with the installer.

Note: This drawing is the property of Nova Display Systems and is not to be reproduced or copied in whole or in part. It is only to be used for the project and site specifically identified herein and is not to be used on any other projects, or for the purpose of manufacturing and reproduction. It is to be returned upon request.

Sheet: