

INSTALLATION GUIDE

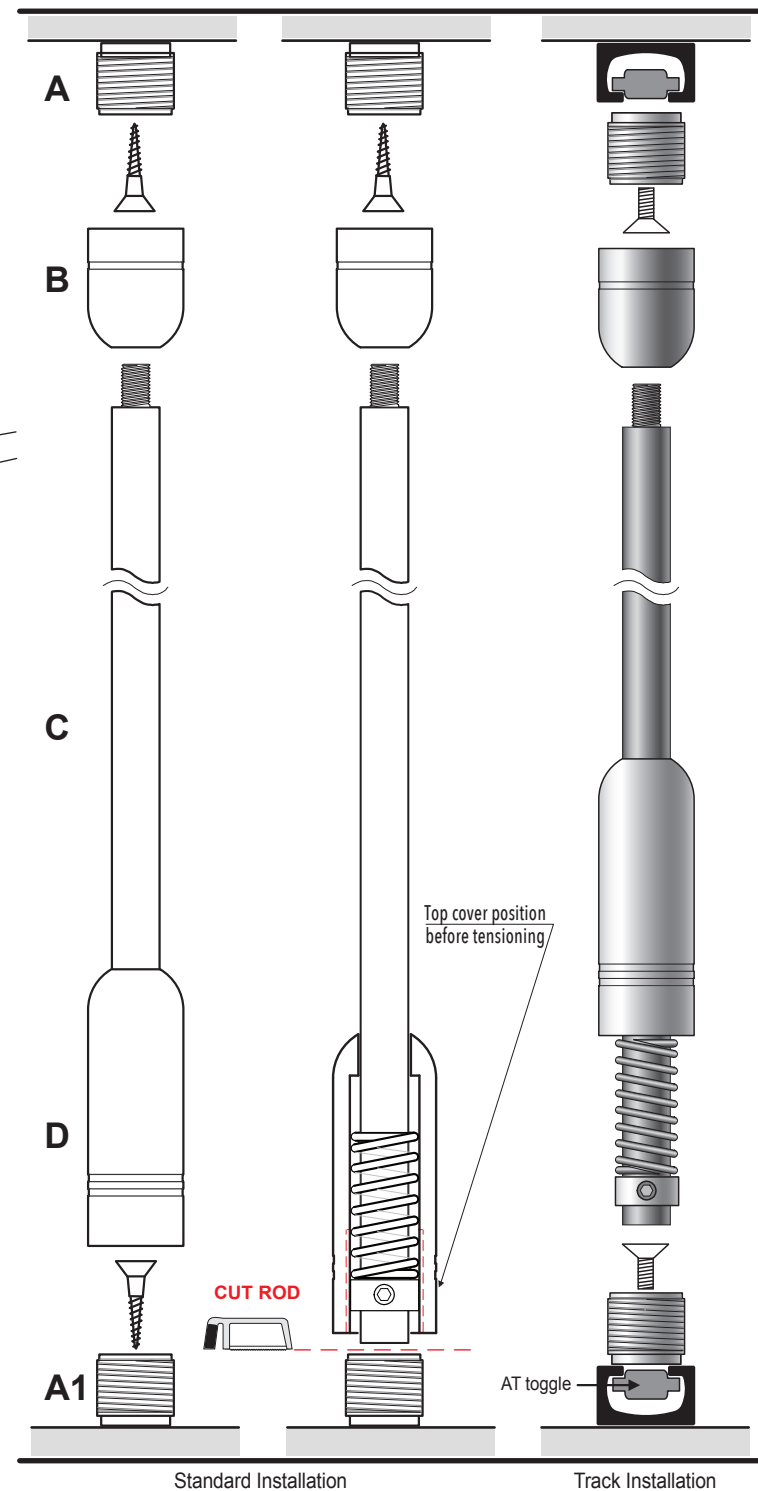
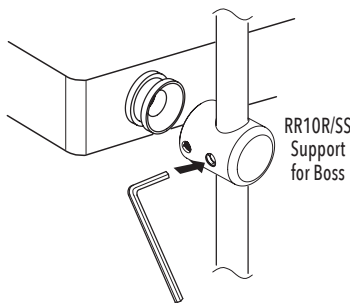
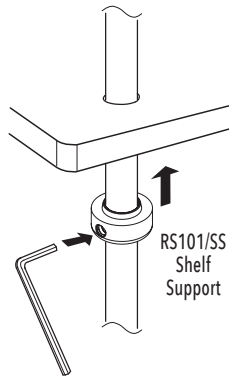
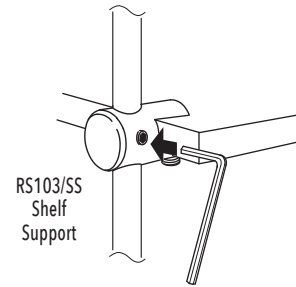
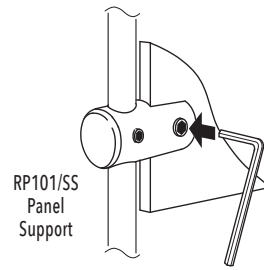
RCF-10/SS Rod Assembly 10mm ROD SYSTEMS / CEILING-TO-FLOOR

IMPORTANT: It is essential to check that the top ceiling fixings are strong enough to take the weight of the items being displayed while allowing for the tension in the rods.

- 1) Attach fitting (A) to ceiling:
 - for wood stud walls use a wood screw.
 - for cavity/plaster wall use a **spring toggle bolt** (this option needs to be tested).
 - for solid/concrete wall use a raw-plug and screw.
- 2) Screw part (B) into part (A). This has a M6 right hand thread.
- 3) Using a plumb-line, descend from (A), and fix floor fitting (A1) to floor using appropriate type of fixing.
- 4) Screw the right hand thread rod into top fitting (A-B) and add as many additional rods as required.
- 5) Cut bottom rod in line with the top of floor fitting (A1).
- 6) Slide the panel and shelf support fittings onto the rod. They can be spaced and secured at the desired position after all rods are assembled. Please note that most of the fittings for the 10mm rod system are non-removable and require to be inserted on the rod from the bottom.
- 7) Slide the bottom tensioner with spring and color crimping assembly (D) onto the rod and tighten it onto the floor fitting (A1).
- 8) Attach panel and shelf accessories at the desired position.

NOTE: It is important to check the strength of all fixings. NOVA DISPLAY SYSTEMS takes no responsibility for incorrect installation. This responsibility rests with the installer. **Rods are not supplied with fixing screws.**

***** DO NOT INSTALL INTO PLASTERBOARD (DRYWALL) WALLS IF YOUR APPLICATION INCLUDES GLASS SHELVES OR OTHER HEAVY ITEMS.**



NOVA DISPLAY
INNOVATIVE DISPLAY SOLUTIONS

Nova Display Systems, Inc.
875 Wilson St., Ste. A-B
Eugene, OR 97402
541.505.7450
541.505.9919 fax
sales@novadisplaysystems.com
www.novadisplaysystems.com

Wall Display Concept

ID: **DC3300**
DC3301
DC3302
DC3303
DC3304

Title: Wine-Cellar Display

Installation Guide

ID: **DC3300-INST**
DC3301-INST
DC3302-INST
DC3303-INST
DC3304-INST

NOTE: It is important to check the strength of the wall fixing(s). Nova Display Systems takes no responsibility for incorrect installation. This responsibility relies with the installer.

Note: This drawing is the property of Nova Display Systems and is not to be reproduced or copied in whole or in part. It is only to be used for the project and site specifically identified herein and is not to be used on any other projects, or for the purpose of manufacturing and reproduction. It is to be returned upon request.

Sheet: