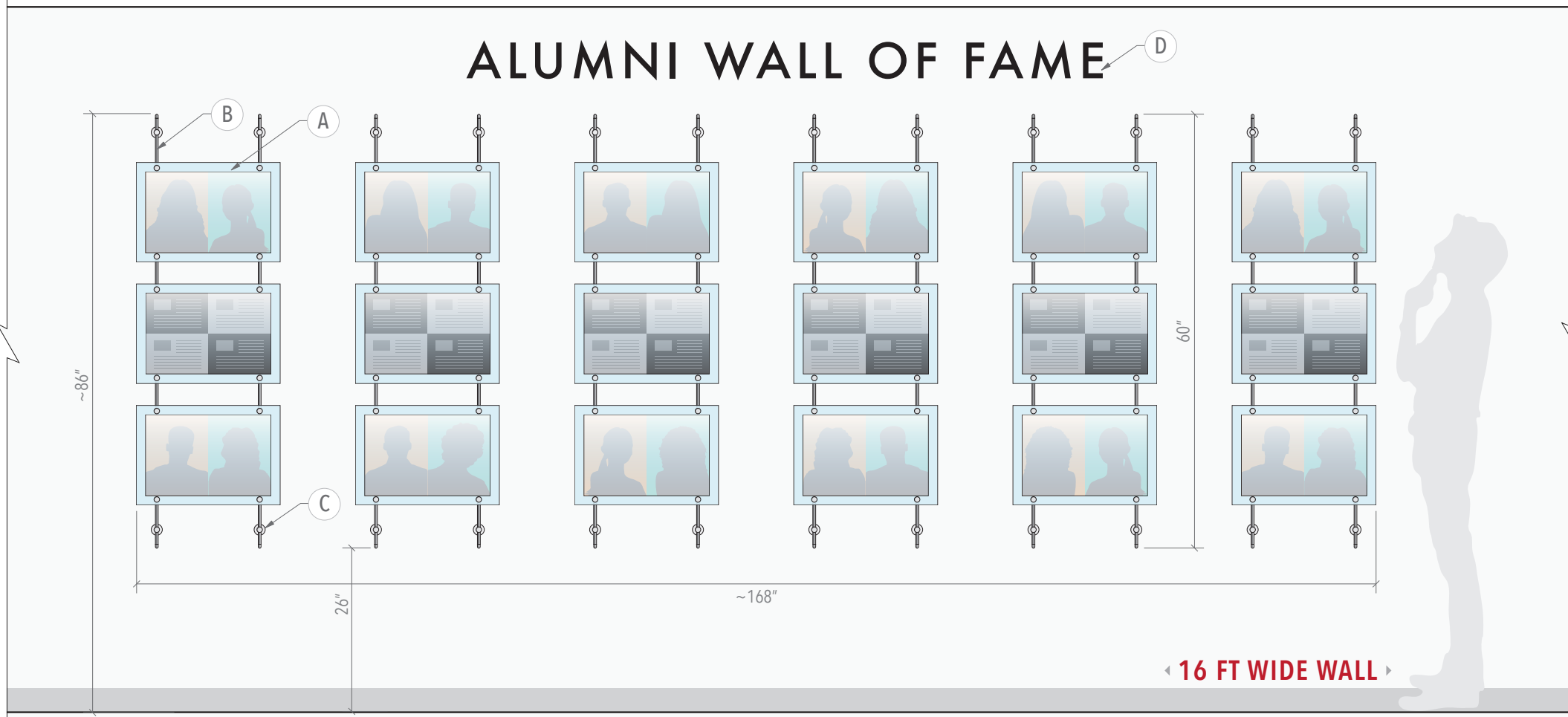


ELEVATION

# ALUMNI WALL OF FAME



**NOVADISPLAY**  
INNOVATIVE DISPLAY SOLUTIONS

Nova Display Systems, Inc.  
875 Wilson St., Ste. A-B  
Eugene, OR 97402  
541.505.7450  
541.505.9919 fax  
sales@novadisplay.com  
www.novadisplaysystems.com

**Wall Display Concept**

**ID: DC2607**

**Title:** Recognition Wall Display

**Description:** Display incorporates acrylic sandwich frames for 11" x 17" format photo or info/poster inserts mounted to wall with 10mm rod system.

**Display Size:**  
68"H x 168"W

**Wall Size Requirements:**  
16 FT (192 IN) Wide

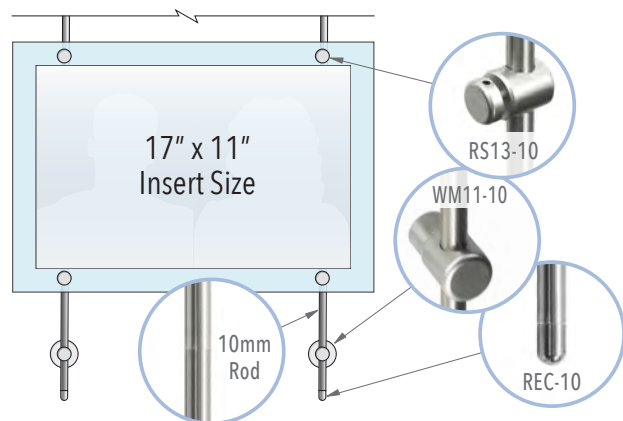
**Display Hardware:**  
Rod Display System

**Classification:**  
Recognition wall displays  
Recognition wall display ideas  
Wall of fame  
Wall of honor  
Wall of distinction  
Wall of achievement  
Wall of success  
Award wall display

Note: This drawing is the property of Nova Display Systems and is not to be reproduced or copied in whole or in part. It is only to be used for the project and site specifically identified herein and is not to be used on any other projects, or for the purpose of manufacturing and reproduction. It is to be returned upon request.

**Sheet:**

**DETAILS:**





**NOTES:**

- A** Non-Glare Acrylic Frame Set for changeable info/photo inserts. Use with 17" x 11" (1ea) or 8.5" x 11" (2ea) printed inserts (not included).
- B** 10mm diameter vertical rod display system mounted to wall with twist-n-lock drywall anchor. Each column is supplied with two 59" long **R1500-10** rods with both threaded ends for use with **REC-10** decorative caps. \*\*\* No rod cutting to size is needed.
- C** Rods are mounted onto the wall with **WM11-10** supports. **P01** decorative support plates are optional.
- D** Dimensional Lettering: "ALUMNI WALL OF FAME" in 5" high Futura Medium Font Style – Laser Cut Acrylic Letters in 1/4" thick satin/matte black finish face and double-sided tape on the back for wall mounting.

**Hardware:** All fixings, components supplied in satin chrome finish. Rods are stainless steel.

**COMPONENT LIST:**

 <b>WM11-10</b> (24 ea)	 <b>P01</b> (24 ea)	 <b>REC-10</b> (24 ea)	 <b>*R1500-10</b> (12 ea)	 <b>RS13-10</b> (72 ea)
 <b>P75-TWL</b> (24 ea)	 <b>18ASP-W-1117/S14</b> (18 ea)	 <b>18ASP-W-1117/NG/S14</b> (18 ea)	 <b>Futura Medium</b> -5IN-20BK (1 SET)	