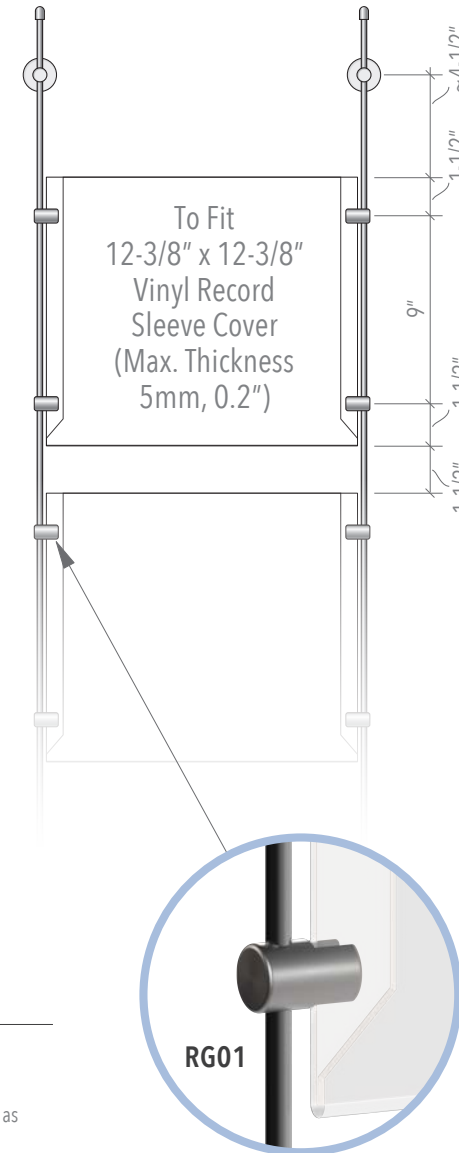
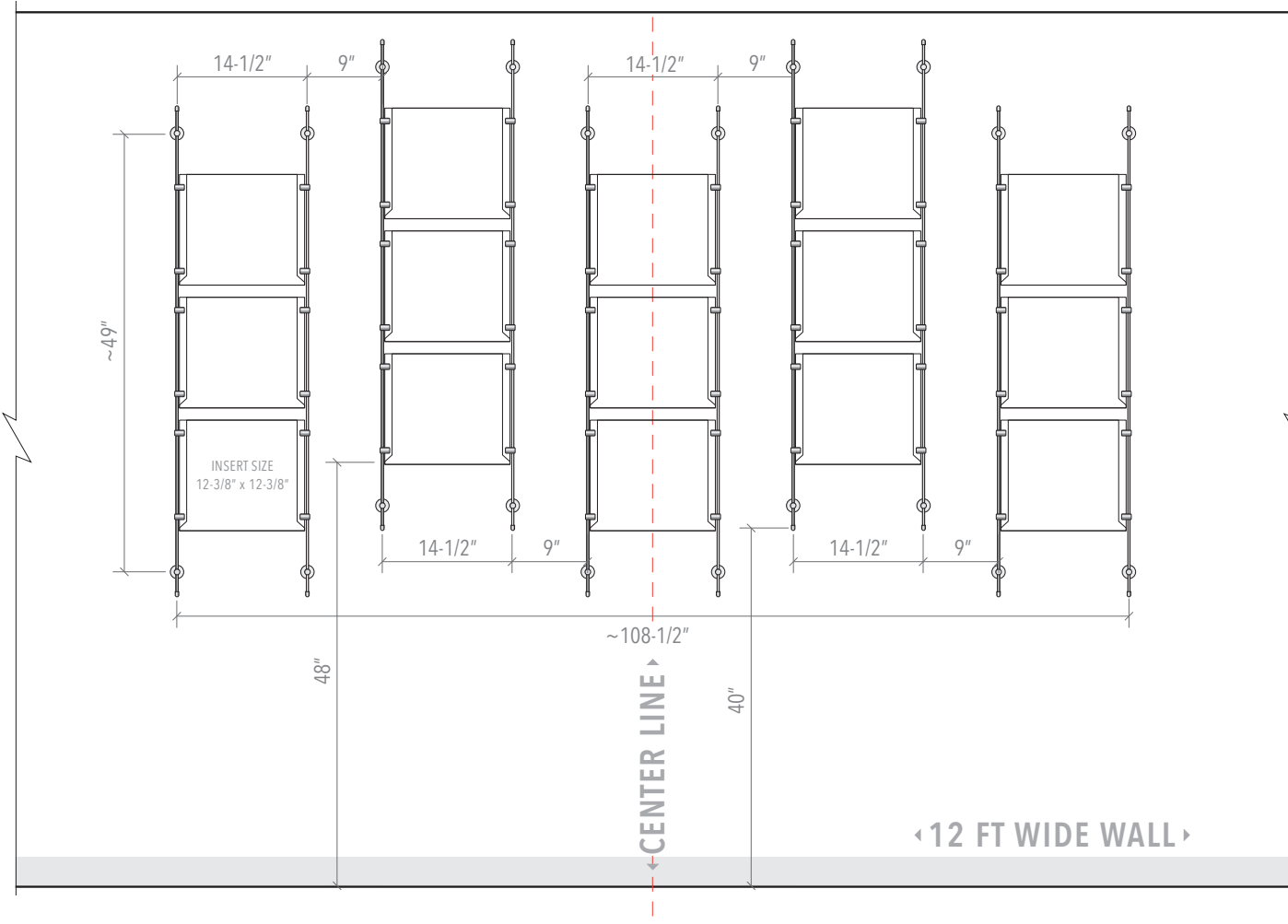
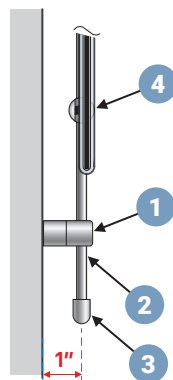


WALL INSTALL TEMPLATE



DETAILS:



Top-Load / Easy Access Acrylic Holders for Vinyl Records

1. Rods for each unit are mounted to wall with **WM11** wall supports spaced 14-1/2 inches apart. Distance between units is 9" on center but it can be changed as needed. Use P01 decorative plate to ease the installation and add style to your display.
2. Rods are cut to 54" overall length.
3. Use **REC** decorative end caps for rod-end finishing if necessary, otherwise cut rods at support level.
4. Acrylic holders are mounted to vertical rods with **RG01** side supports. Holders can be spaced vertically as needed.

Note: Holders are designed as 1/8" thick clear acrylic folded style frames with tabs on the side of frame to enable for cable/rod display fittings to attach. Sleeves are available in both "clear acrylic" or "non-glare acrylic". Non-glare (non-reflective) acrylic front cover helps to reduce the glare and provides a mild protection against harmful UV rays.



NOVADISPLAY
INNOVATIVE DISPLAY SOLUTIONS

Nova Display Systems, Inc.
875 Wilson St., Ste. A-B
Eugene, OR 97402
541.505.7450
541.505.9919 fax
sales@novadisplay.com
www.novadisplaysystems.com

Wall Display Concept

ID: DC3201

Title: Album Wall Displays

Display Size:
62"H x 108"W

Wall Size Requirements:
12 FT (144 IN) Wide

Wall Install Template

ID: DC3201-WT

Note: Dimensions on the drawing display hardware mounting points on the wall. These are suggested dimensions and can be slightly modified to accommodate for your own wall specifics.

Note: This drawing is the property of Nova Display Systems and is not to be reproduced or copied in whole or in part. It is only to be used for the project and site specifically identified herein and is not to be used on any other projects, or for the purpose of manufacturing and reproduction. It is to be returned upon request.

Sheet:

Page: 1 of 1

Scale: n/a