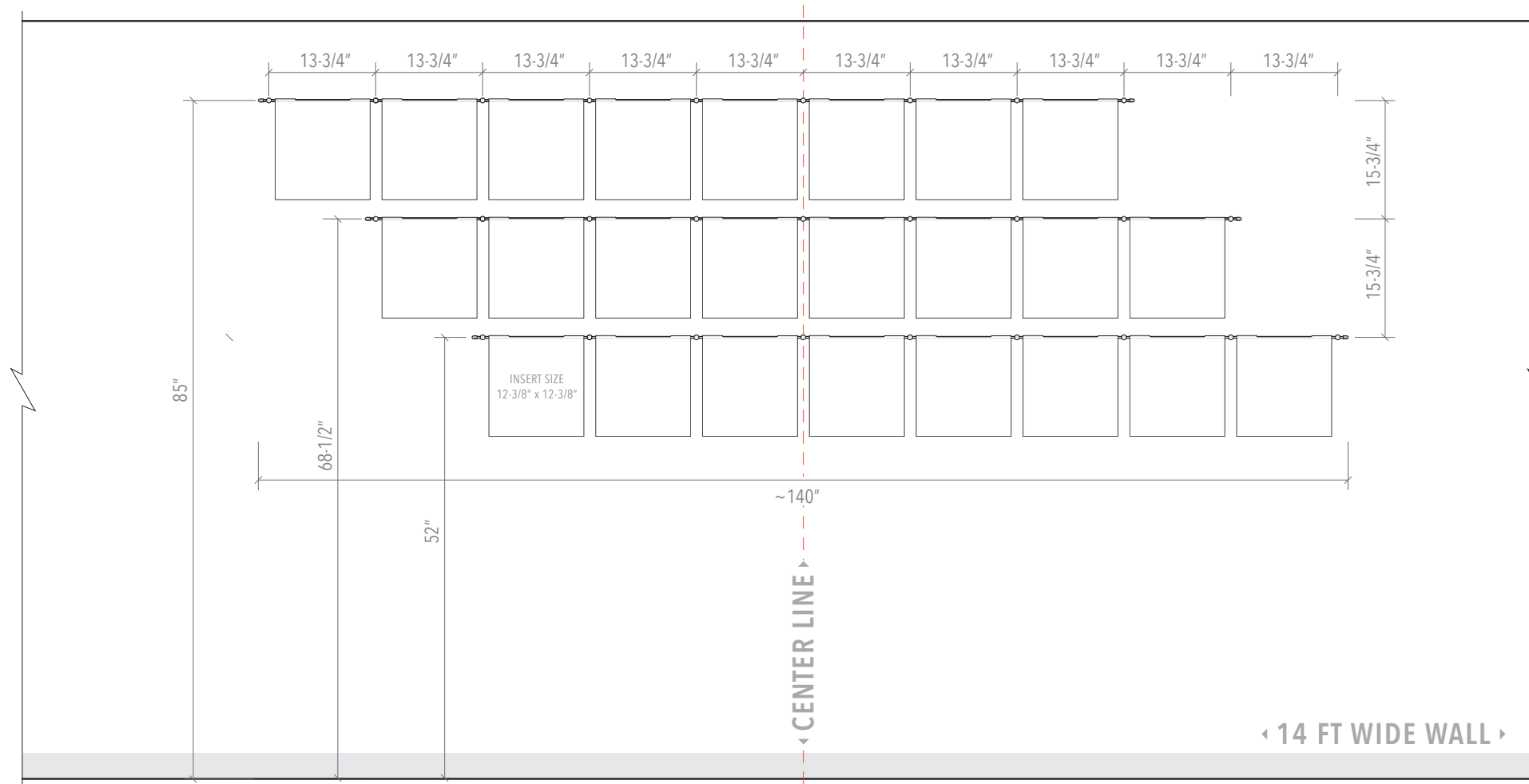


WALL INSTALL TEMPLATE



NOVADISPLAY™
INNOVATIVE DISPLAY SOLUTIONS

Nova Display Systems, Inc.
875 Wilson St., Ste. A-B
Eugene, OR 97402
541.505.7450
541.505.9919 fax
sales@novadisplay.com
www.novadisplaysystems.com

Wall Display Concept

ID: DC3200

Title: Album Wall Displays

Display Size:
45"H x 140"W

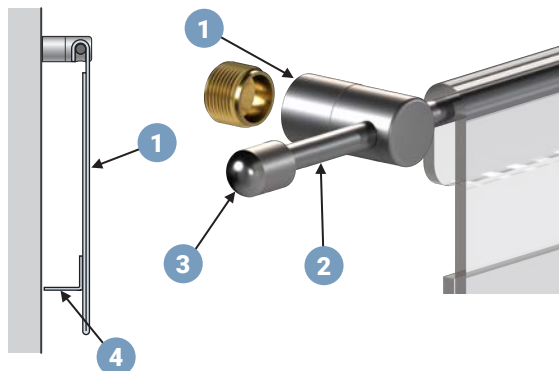
Wall Size Requirements:
14 FT (168 IN) Wide

Wall Install Template

ID: DC3200-WT

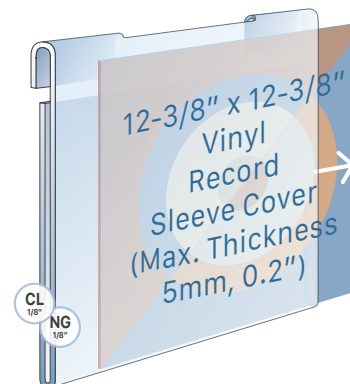
Note: Dimensions on the drawing display hardware mounting points on the wall. These are suggested dimensions and can be slightly modified to accommodate for your own wall specifics.

DETAILS:



Hook-on Acrylic Sleeves for Vinyl Records

1. Acrylic holders are supported on horizontal rods mounted onto wall with **WM11** supports with 13-3/4 inches space on centers.
2. Join two of **R1500** rods to make the total length needed and cut to size. Rods are easily cut with a hacksaw to achieve the overall required length.
3. Use **REC** end caps for rod-end finishing if necessary, otherwise cut rods at support level.
4. Use **18HAP-SPACER** acrylic wall spacer to add back support to holders or dispensers.



The hook-on holders/sleeves are designed as 1/8" thick clear acrylic folded style frames with a special molded top that can hook onto the 6mm diameter rods. Sleeves are available in both "clear acrylic" or "non-glare acrylic".

Note: Non-glare (non-reflective) acrylic front cover helps to reduce the glare and provides a mild protection against harmful UV rays.

Note: This drawing is the property of Nova Display Systems and is not to be reproduced or copied in whole or in part. It is only to be used for the project and site specifically identified herein and is not to be used on any other projects, or for the purpose of manufacturing and reproduction. It is to be returned upon request.

Sheet:

Page: 1 of 1

Scale: n/a