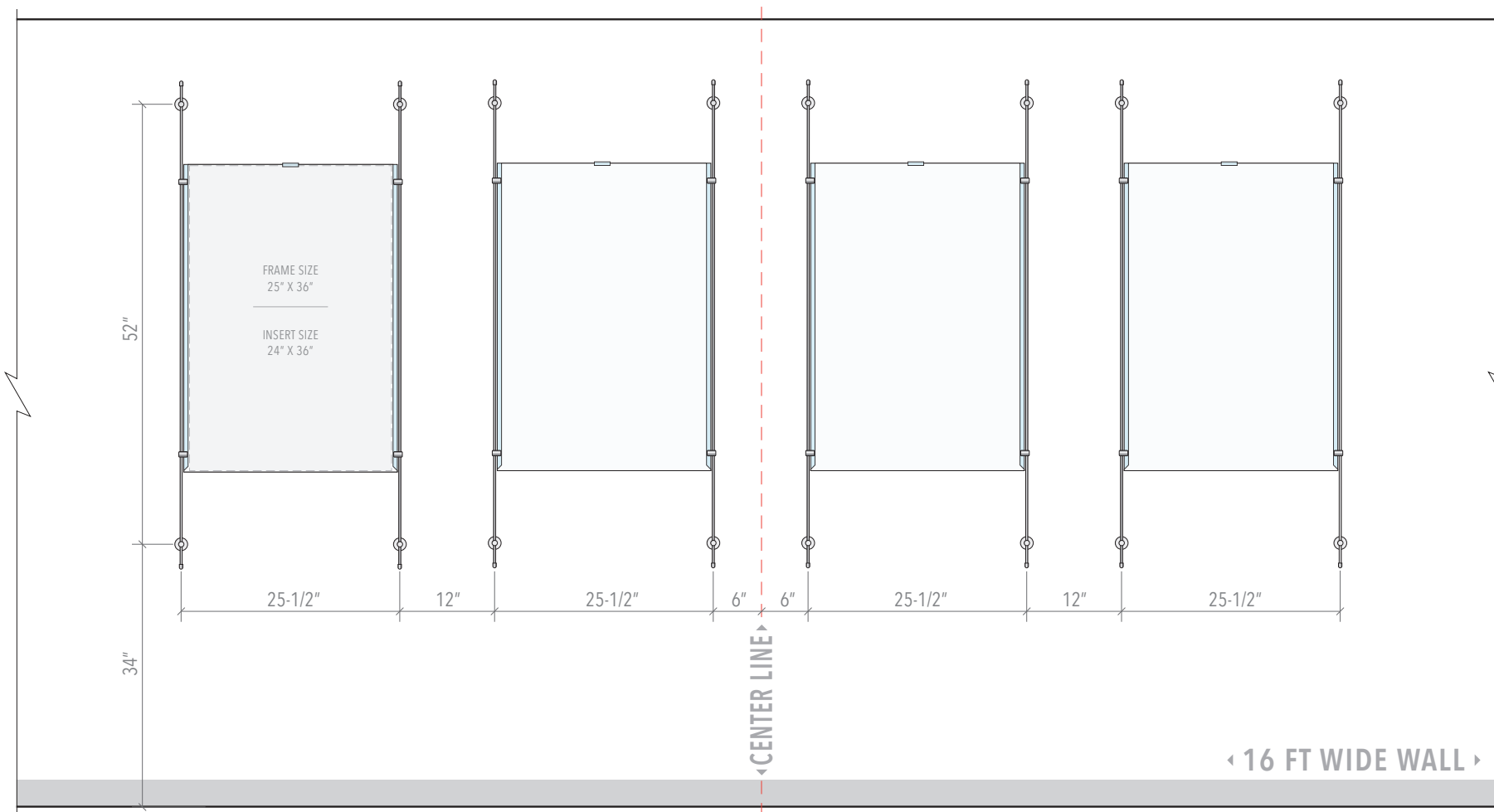
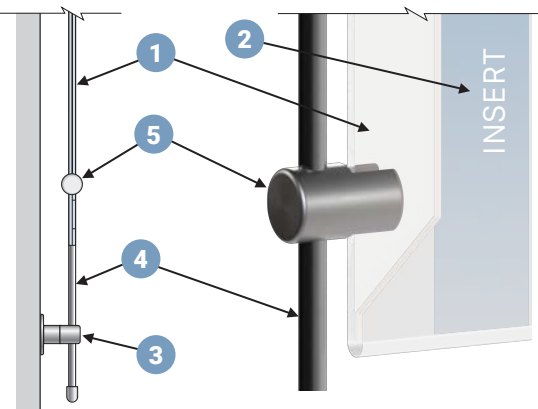


WALL INSTALL TEMPLATE



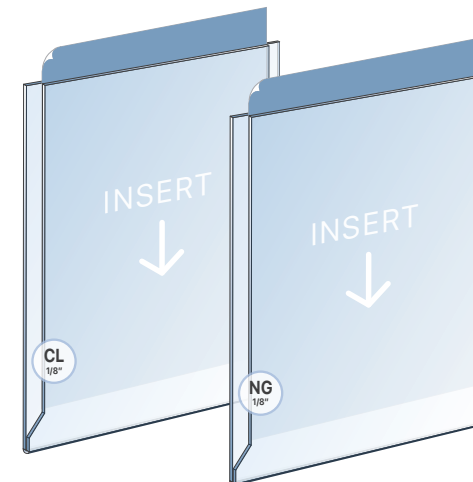
DETAILS:



Easy Access Acrylic Frames for Info/Poster Inserts / Rod Suspended

1. Expo Style Easy Access Acrylic Frames are made of 1/8" thick clear folded acrylic with side tabs and are mounted to wall using vertical rod display system. Frames are available in "clear" or "non-glare" acrylic finishes.
2. Frames can be used with standard prints or paper posters up to 135 gsm or 1 mm (1/32") thickness.
3. Rods are mounted onto the wall with **WM11** supports. **P01** decorative support plates are optional.
4. Each frame set is supplied with two **R1500** rods cut at 56" length with flat ends for use with **REC** decorative caps.
5. Use **RG01** supports to mount the easy access acrylic holders to 6mm vertical rods from side.

Note: Non-glare (non-reflective) acrylic front cover helps to reduce the glare and provides a mild protection against harmful UV rays.



NOVADISPLAY™
INNOVATIVE DISPLAY SOLUTIONS

Nova Display Systems, Inc.
875 Wilson St., Ste. A-B
Eugene, OR 97402
541.505.7450
541.505.9919 fax
sales@novadisplay.com
www.novadisplaysystems.com

Wall Display Concept

ID: DC2210

Title: Info/Poster Wall Display

Display Size:

56" H x 140" W

Wall Size Requirements:

16 FT (192 IN) Wide

Wall Install Template

ID: DC2210-WT

Note: Dimensions on the drawing display hardware mounting points on the wall. These are suggested dimensions and can be slightly modified to accommodate for your own wall specifics.

Note: This drawing is the property of Nova Display Systems and is not to be reproduced or copied in whole or in part. It is only to be used for the project and site specifically identified herein and is not to be used on any other projects, or for the purpose of manufacturing and reproduction. It is to be returned upon request.

Sheet:

Page: 1 of 1

Scale: n/a