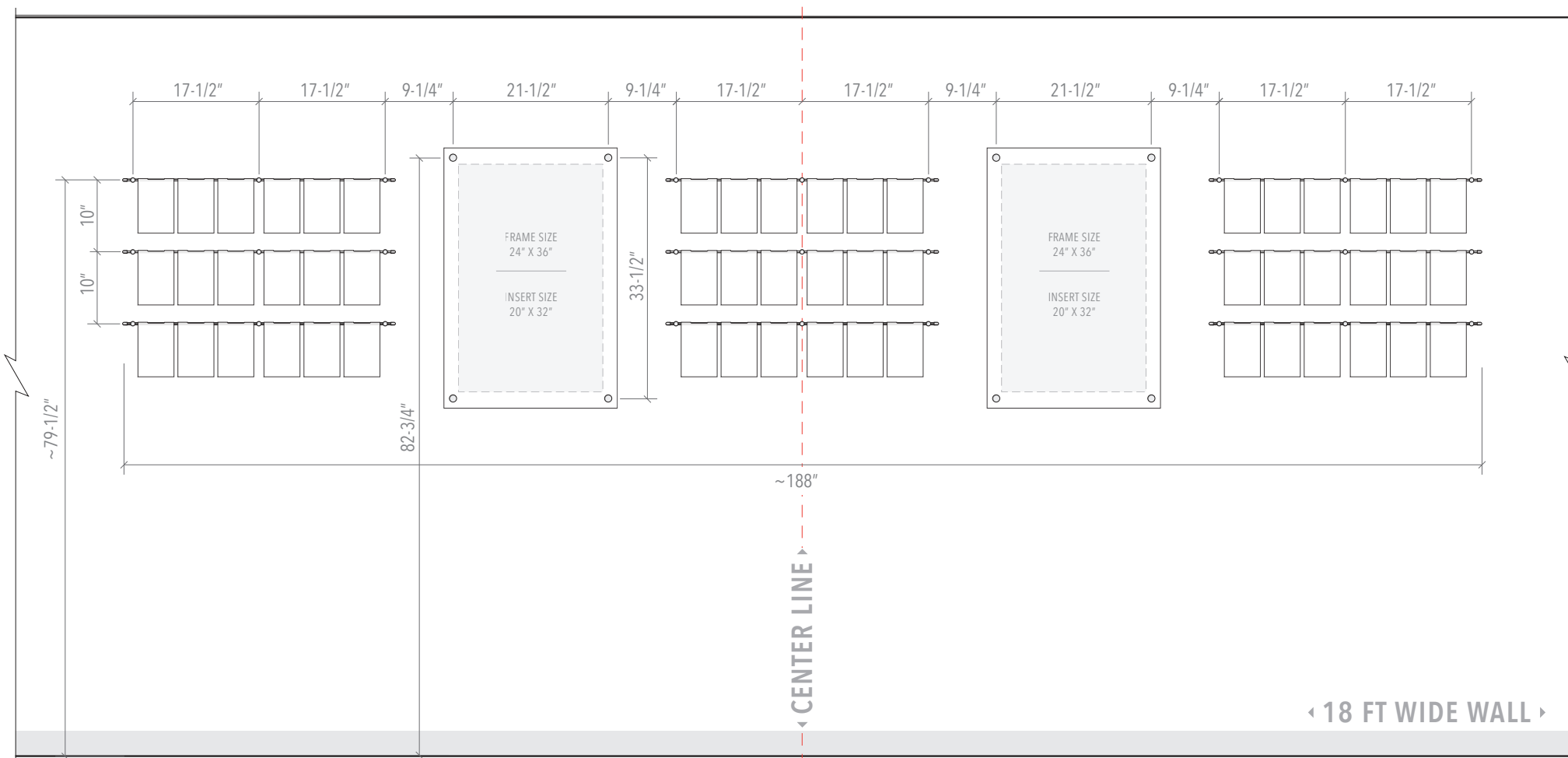
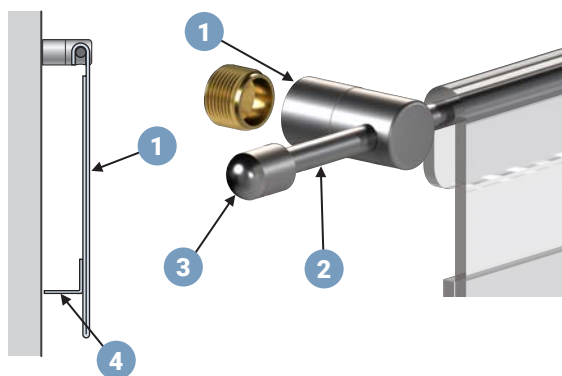


WALL INSTALL TEMPLATE

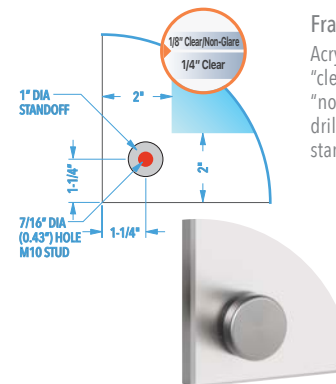
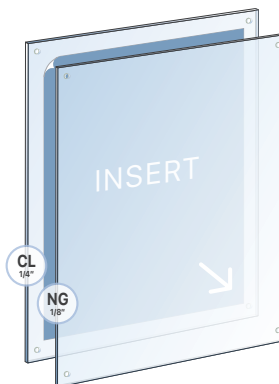


DETAILS:



Hook-on Acrylic Holders for Photo Inserts

1. Acrylic holders are supported on horizontal rods mounted onto wall with **WM11** supports with 17-1/2 inches space on centers.
2. **R1000P** rods are easily cut with a hacksaw to achieve the overall required length.
3. Use **REC** end caps for rod-end finishing if necessary, otherwise cut rods at support level.
4. Use **18HAP-SPACER** acrylic wall spacer to add back support to holders or dispensers.



Frameless Acrylic Frames for Poster Inserts

Acrylic sandwich frame is supplied as a set with 1/4" thick "clear" acrylic panel for use as backing and 1/8" thick "non-glare" acrylic panel for use as front cover. Panels are drilled for M8-10 studs and supplied with 1" diameter standoff supports. Projection from wall is 1".

Note: Non-glare (non-reflective) acrylic front cover helps to reduce the glare and provides a mild protection against harmful UV rays.



NOVADISPLAY™
INNOVATIVE DISPLAY SOLUTIONS

Nova Display Systems, Inc.
875 Wilson St., Ste. A-B
Eugene, OR 97402
541.505.7450
541.505.9919 fax
sales@novadisplaysystems.com
www.novadisplaysystems.com

Wall Display Concept

ID: DC2130

Title: Photo Wall Display

Display Size:
36" H x 188" W

Wall Size Requirements:
18 FT (216 IN) Wide

Wall Install Template

ID: DC2130-WT

Note: Dimensions on the drawing display hardware mounting points on the wall. These are suggested dimensions and can be slightly modified to accommodate for your own wall specifics.

Note: This drawing is the property of Nova Display Systems and is not to be reproduced or copied in whole or in part. It is only to be used for the project and site specifically identified herein and is not to be used on any other projects, or for the purpose of manufacturing and reproduction. It is to be returned upon request.

Sheet:

Page: 1 of 1

Scale: n/a