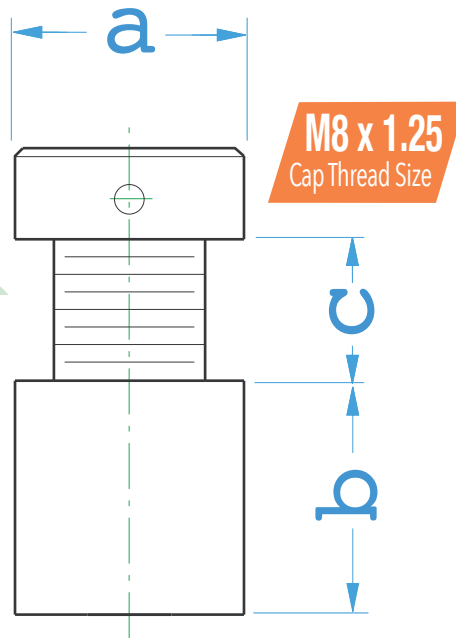


**Two Part Fitting** - Includes M8 Stud-Cap and Standoff Spacer/Barrel.



## Ø1/2" BRASS SIGN STANDOFF – ECONOMY

Part #	Diameter (a)	Length (b)	Panel Thickness (c)	Panel Hole Dia.
<b>WS01212</b> <b>-M8 SC</b>	12.5mm (1/2")	12.5mm (1/2")	5mm (3/16") max	10mm (3/8")
	Stud-Cap Thread Size	Mount Screw Size	Load Limit	Finish
	M8 x 1.25	No. 6 screw	2kg (5lb) each *Subject to fixing	Satin Chrome