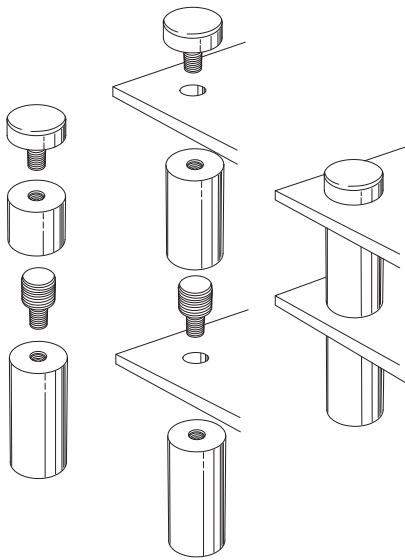
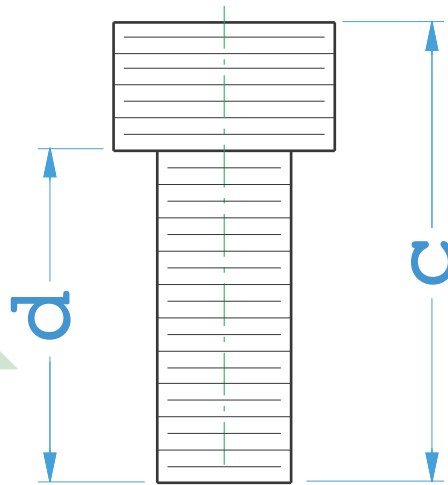
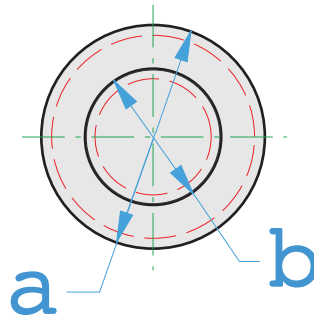


Compatible with
WSO series economy
brass supports
with M10 Stud-Caps



Double Depth Panels -
Join to sign supports together
using PCW-20 / PCW-25 to create
a double-depth sign.

Need A Longer Support? -
Join two sign supports together
using PCW-20 / PCW-25 to make a
desirable length support.



SUPPORT JOINER / PANEL SPACER WITH M10 STUD

Part #	Thread Size (a)	Thread Size (b)	Length (c)	Stud Length (d)
PCW-20	M14 x 1.5	M10 x 1.5	22mm (7/8")	18mm (11/16")
PCW-25	M20 x 1.5	M10 x 1.5	30mm (1-3/16")	20mm (3/4")
	Panel Thickness	Load Limit	Allen Wrench	Finish
	12.5mm (1/2") max	11.5kg (25lb) each *Subject to fixing	N/A	Unfinished Brass