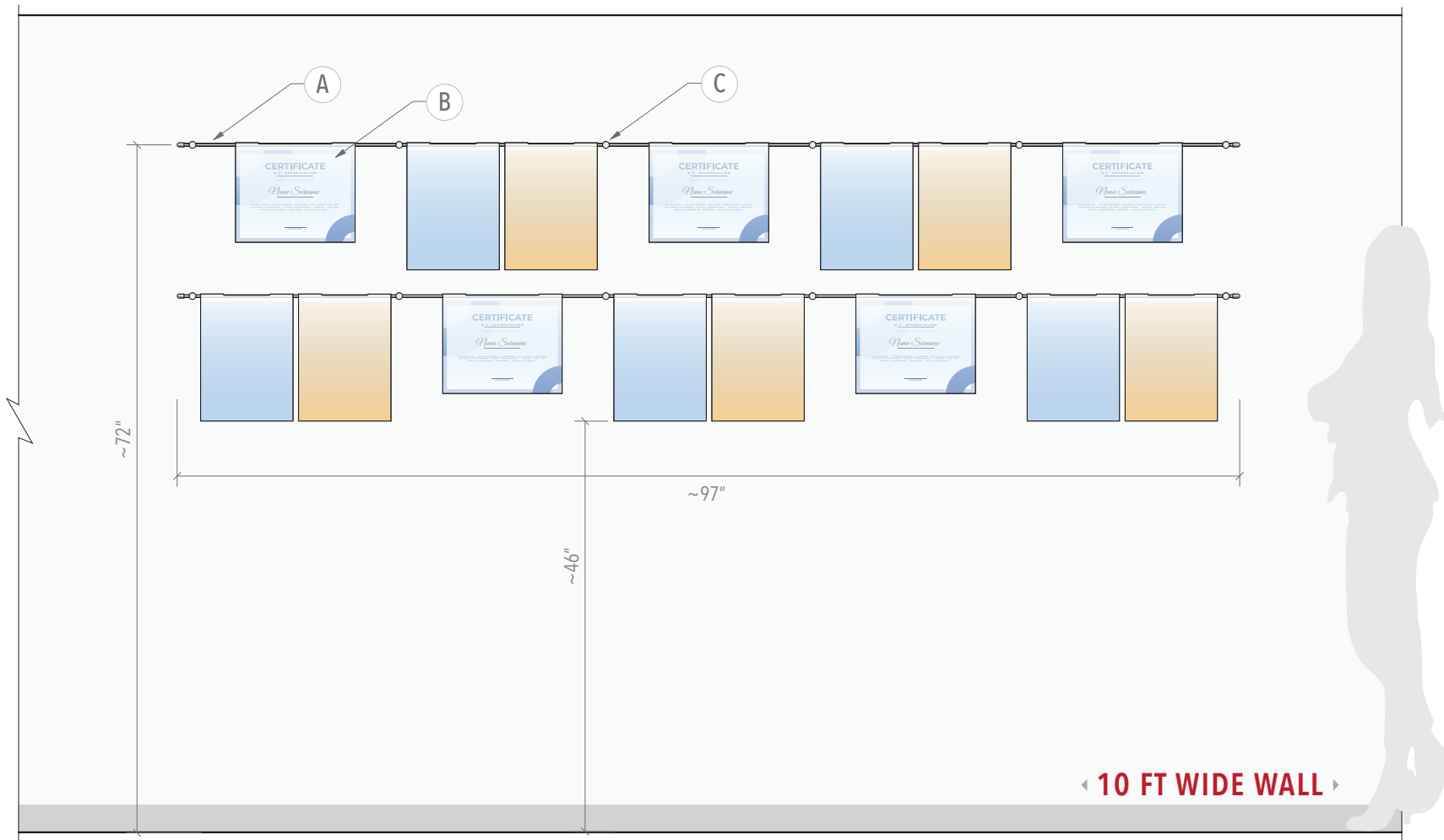


ELEVATION



NOVADISPLAY
INNOVATIVE DISPLAY SOLUTIONS

Nova Display Systems, Inc.
875 Wilson St., Ste. A-B
Eugene, OR 97402
541.505.7450
541.505.9919 fax
sales@novadisplay.com
www.novadisplaysystems.com

Wall Display Concept

ID: DC2612

Title: Recognition Wall Display

Description: Display incorporates hook-on acrylic holders/sleeves for 8.5" x 11" info/poster inserts mounted to wall with horizontal 6mm rod system.

Display Size:
26"H x 97"W

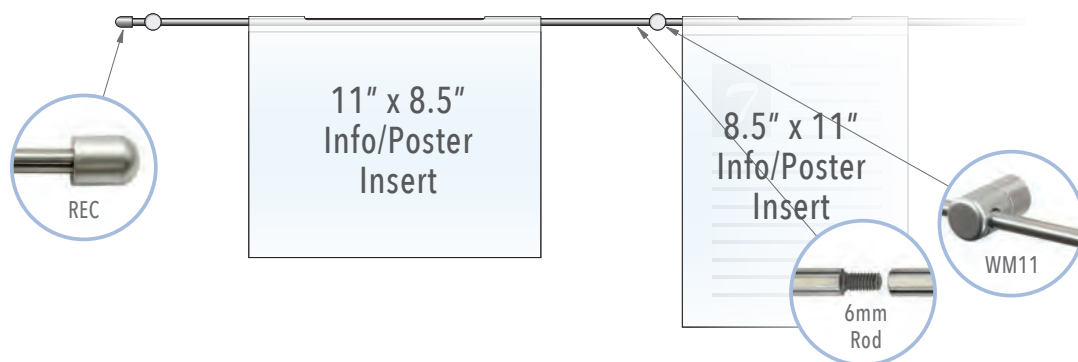
Wall Size Requirements:
10 FT (120 IN) Wide

Display Hardware:
Hook-on Rod Display System

Classification:
Donor recognition wall ideas
Donor recognition wall kits
Donor wall solutions
Donor recognition wall display
Recognition displays
Donor walls
Hall of fame display ideas
Wall of honor display ideas

Note: This drawing is the property of Nova Display Systems and is not to be reproduced or copied in whole or in part. It is only to be used for the project and site specifically identified herein and is not to be used on any other projects, or for the purpose of manufacturing and reproduction. It is to be returned upon request.

DETAILS:



NOTES:

- A** 6mm diameter horizontal rod display system mounted to wall with twist-n-lock drywall anchor. ***Threaded rods are joined together and cut to 97" overall length.
- B** Clear or Non-Glare Hook-on Acrylic Holders for 8.5" x 11" info/poster inserts.
- C** Rods are mounted to wall with WM11 supports with 19 inches space between wall mounts centers.

Hardware: All fixings, components supplied in satin chrome finish. Rods are stainless steel.

COMPONENT LIST:

		
WM11 (12 ea)	REC (4 ea)	*R1500 (4 ea)
		
P50-TWL (12 ea)	18HAP-8511P (NG) (10 ea)	18HAP-8511L (NG) (5 ea)

Sheet: