

INSTALLATION GUIDE

C2WW-15/30 Double-Cable Assembly CABLE SYSTEMS / WALL-TO-WALL

IMPORTANT: It is essential to check that the wall fixings are strong enough to take the weight of the items being displayed, while allowing for the tension in the cables.

- 1) Select the upper height to which the cable is to start. Affix base fitting (A-A1) to wall using a suitable fixing for the wall type:
 - for wood stud walls use a wood screw.
 - for cavity/plaster wall use a spring toggle bolt (this option needs to be tested).
 - for solid/concrete wall use a raw-plug and screw.

- 2) Attach the wall bracket (B-B1) to the wall at a respective distance from the top fixing (A) to form a regular triangle as shown in the diagram on the right.

- 3) Loosen the set screws on the wall bracket (B1) to slacken the front and back cables.

- 4) Using a plumb-line, descend from (A), and affix fittings (G-G1) to wall using appropriate type of fixing.

- 5) Repeat step (2 & 3) for mounting the wall bracket (F-F1).

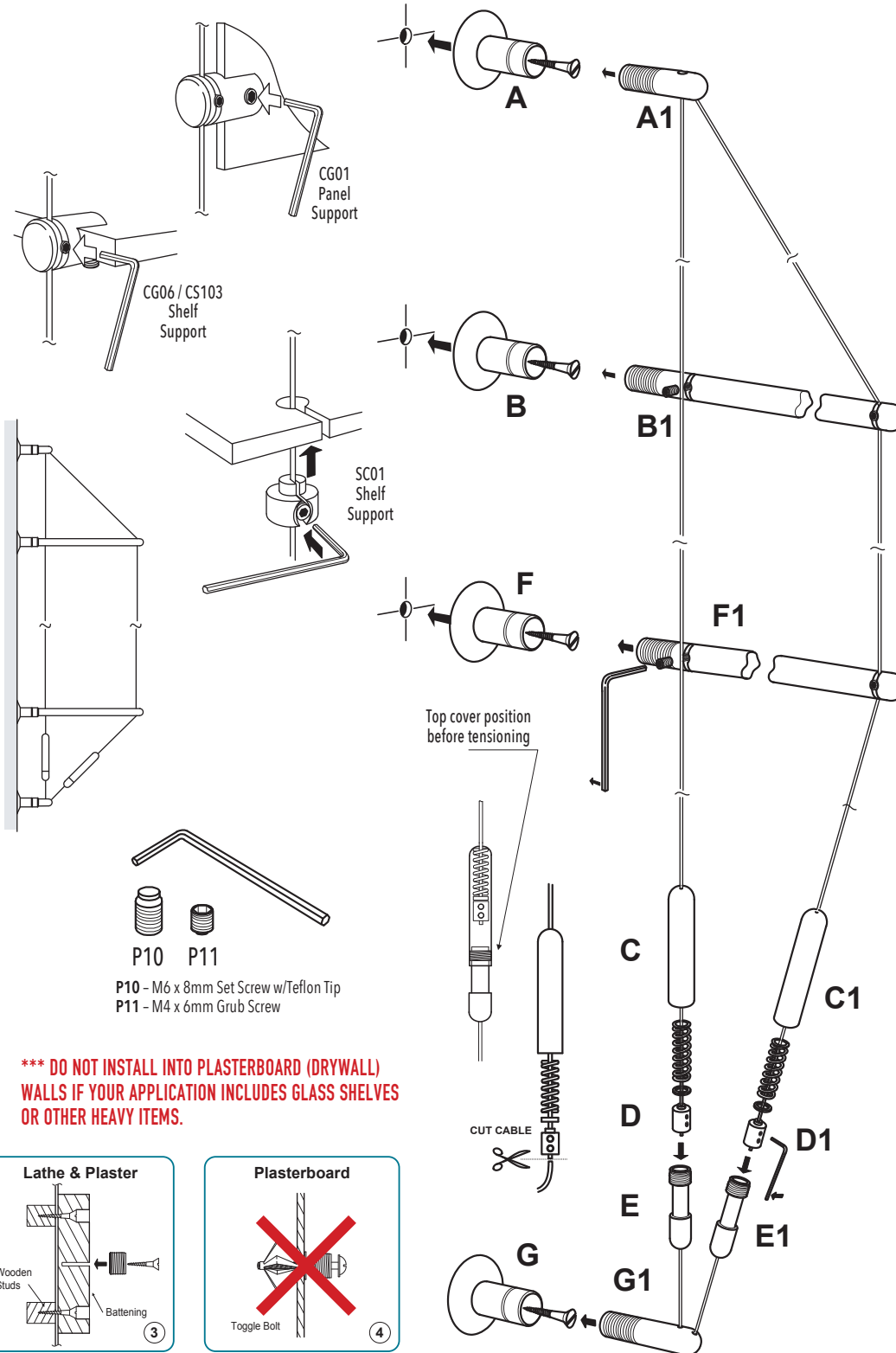
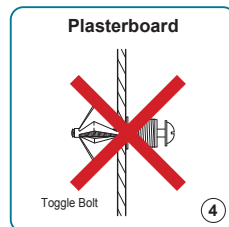
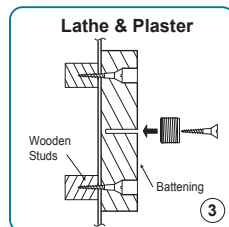
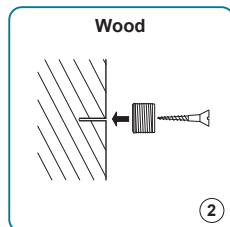
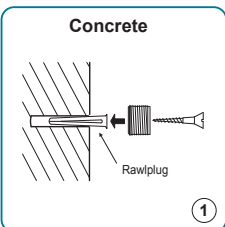
- 6) Separate the two sections of parts (C-C1) and (E-E1), and loosen the grub screws in the small brass pieces (D-D1), using the Allen key provided, and slide fittings up the cable to the desired length. (Do not remove from cable).

- 7) Having selected the required length, tighten the brass fittings and cut off the excess cable.

- 8) Re-connect the two sections (C-C1) and (E-E1), and tighten to adjust tension.

- 9) Tighten set screws on the wall bracket (B-B1) & (F-F1) to fix the front and back cables in place.

NOTE: It is important to check the strength of all fixings. NOVA DISPLAY SYSTEMS takes no responsibility for incorrect installation. This responsibility rests with the installer. Cables are not supplied with fixing screws.



***** DO NOT INSTALL INTO PLASTERBOARD (DRYWALL) WALLS IF YOUR APPLICATION INCLUDES GLASS SHELVES OR OTHER HEAVY ITEMS.**



NOVA DISPLAY
INNOVATIVE DISPLAY SOLUTIONS

Nova Display Systems, Inc.
875 Wilson St., Ste. A-B
Eugene, OR 97402
541.505.7450
541.505.9919 fax
sales@novadisplaysystems.com
www.novadisplaysystems.com

Wall Display Concept

ID: DC3100
DC3101
DC3102
DC3103
DC3104

Title: Product Wall Display

Installation Guide

ID: DC3100-INST
DC3101-INST
DC3102-INST
DC3103-INST
DC3104-INST

NOTE: It is important to check the strength of the wall fixing(s). NOVA DISPLAY SYSTEMS takes no responsibility for incorrect installation. This responsibility relies with the installer.

Note: This drawing is the property of Nova Display Systems and is not to be reproduced or copied in whole or in part. It is only to be used for the project and site specifically identified herein and is not to be used on any other projects, or for the purpose of manufacturing and reproduction. It is to be returned upon request.

Sheet:

Page: 1 of 1

Scale: n/a