

# INSTALLATION GUIDE

## ACRYLIC EASY ACCESS HOLDERS MOUNTED TO 1.5MM CABLE SYSTEMS / WALL-TO-WALL CWW & CG01 Cable Support Fixings

**IMPORTANT:** It is essential to check that the top ceiling fixings are strong enough to take the weight of the items being displayed, while allowing for the tension in the cables.

**1)** Select the upper height to which the cable is to start. Affix base fitting (A-B) to wall using a suitable fixing for the wall type:

- for wood stud walls use a wood screw.
- for cavity/plaster wall use a **spring toggle bolt** or **twist-n-lock anchors** (for lightweight items only).
- for solid/concrete wall use a raw-plug and screw.

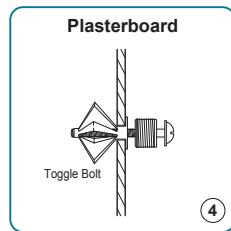
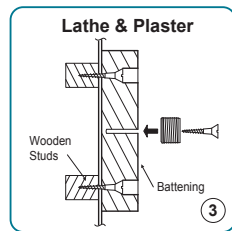
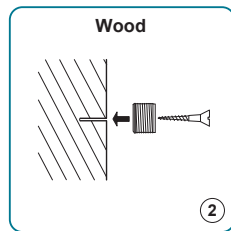
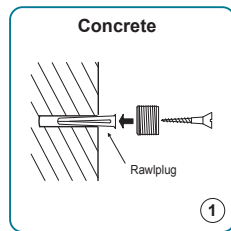
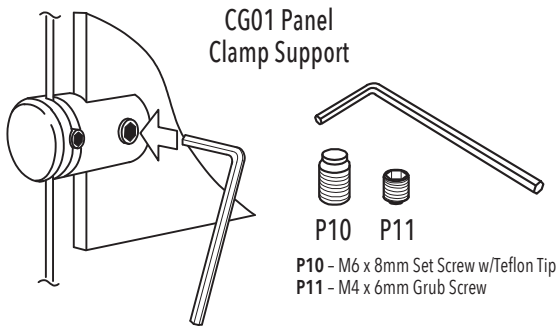
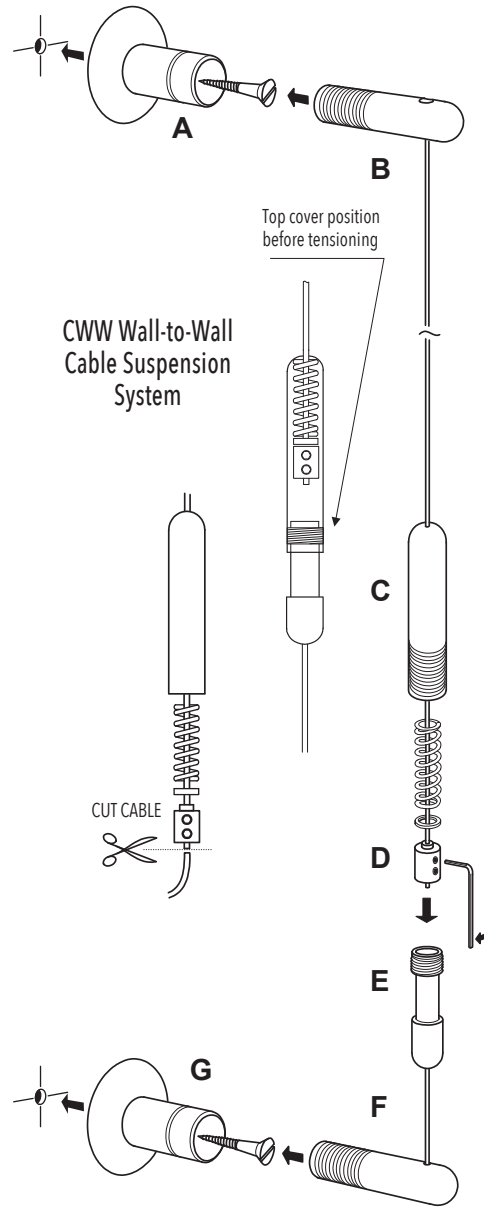
**2)** Using a plumb line; descend from (A) to the required position for base fitting (G-F), and affix.

**3)** Separate the two sections of part (C) and (E), and loosen the grub screws in the small brass piece (D), using the Allen key provided, and slide fittings up the cable to the desired length. (Do not remove from cable).

**4)** Having selected the required length, tighten the brass fitting and cut off the excess cable.

**5)** Re-connect the two sections (C) and (E), and tighten to adjust tension.

**NOTE:** For lightweight display components such as small and medium size acrylic frames and holders Nova Display Systems provides **twist-n-lock anchors**. It is at your discretion to use the anchors provided or use similar product rated for 50 to 75 lb weight limit. It is important to check the strength of the top fixing(s). NOVA DISPLAY SYSTEMS takes no responsibility for incorrect installation. This responsibility rests with the installer. **Cables are not supplied with fixing screws.**



## FRAMELESS ACRYLIC FRAMES MOUNTED WITH STANDOFF SYSTEMS WM15 Standoff Support or Similar

**IMPORTANT:** Always check the installation surface to ensure that the substrate will be strong enough to hold the weight of the panel.

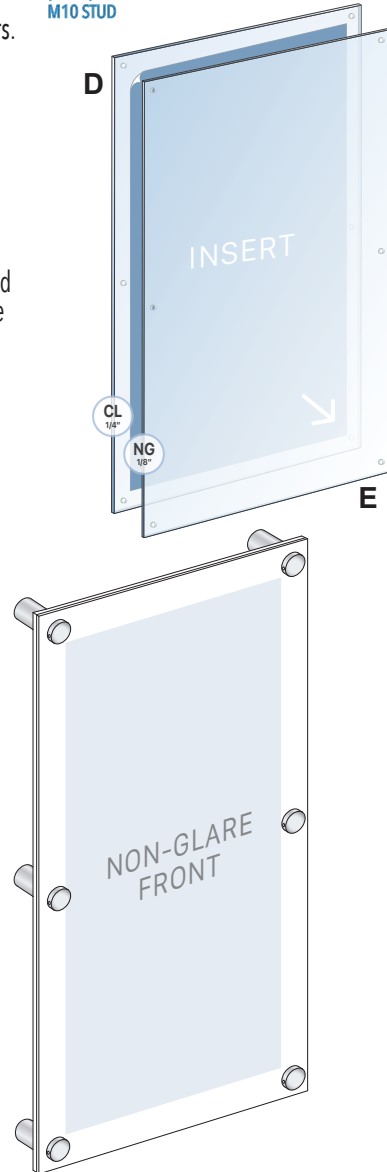
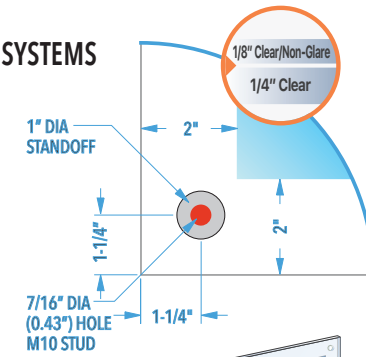
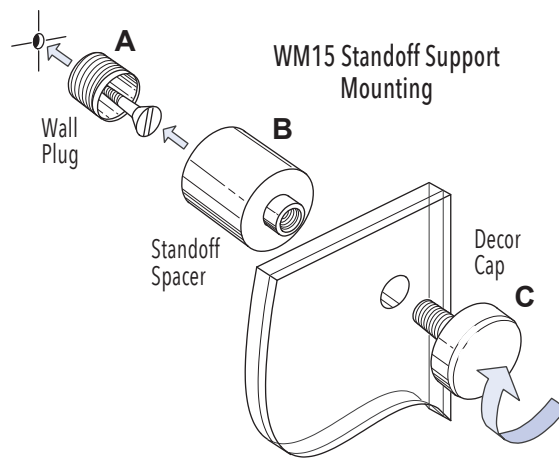
**1)** Using a measuring tape and a leveler; locate and mark all fixing points for each four standoffs as shown in "Wall Install Template / Diagram". Affix the brass fitting (A) to wall using a suitable fixing depending on the wall type:

- for wood stud walls use a wood screw.
- for cavity/plaster wall use a spring toggle bolt or twist-n-lock anchors.
- for solid/concrete wall use a raw-plug and screw.

**2)** Screw standoff barrels (B) tightly onto the wall plugs / brass fittings (A), and repeat procedure for all standoff fittings at each corner of the panel.

**3)** Using low-tack (3M™ 9415PC Removable Repositionable) double sided adhesive tape mount each print to front face of the back panel (D). Cover the print with the non-glare front panel (E) and with the assistance of a helper attach the panel/graphic board set to standoff spacers and affix them with the front caps (C). Make sure the non-glare/matte surface of cover panel is facing the front.

**4)** The caps can be tightened by using a M4 Allen Wrench on the small hole located on the side of the cap. Important to make sure that all wall plugs (A) are securely tightened.



## Wall Display Concept

ID: DC2500

Title: Poster Wall Display

## Installation Guide

ID: DC2500-INST

**NOTE:** It is important to check the strength of the wall fixing(s). Nova Display Systems takes no responsibility for incorrect installation. This responsibility relies with the installer.

Note: This drawing is the property of Nova Display Systems and is not to be reproduced or copied in whole or in part. It is only to be used for the project and site specifically identified herein and is not to be used on any other projects, or for the purpose of manufacturing and reproduction. It is to be returned upon request.

Sheet:

Page: 1 of 1

Scale: n/a