



NOVADISPLAY
INNOVATIVE DISPLAY SOLUTIONS

Nova Display Systems, Inc.
875 Wilson St., Ste. A-B
Eugene, OR 97402
541.505.7450
541.505.9919 fax
sales@novadisplay.com
www.novadisplaysystems.com

Wall Display Concept

ID: DC2207

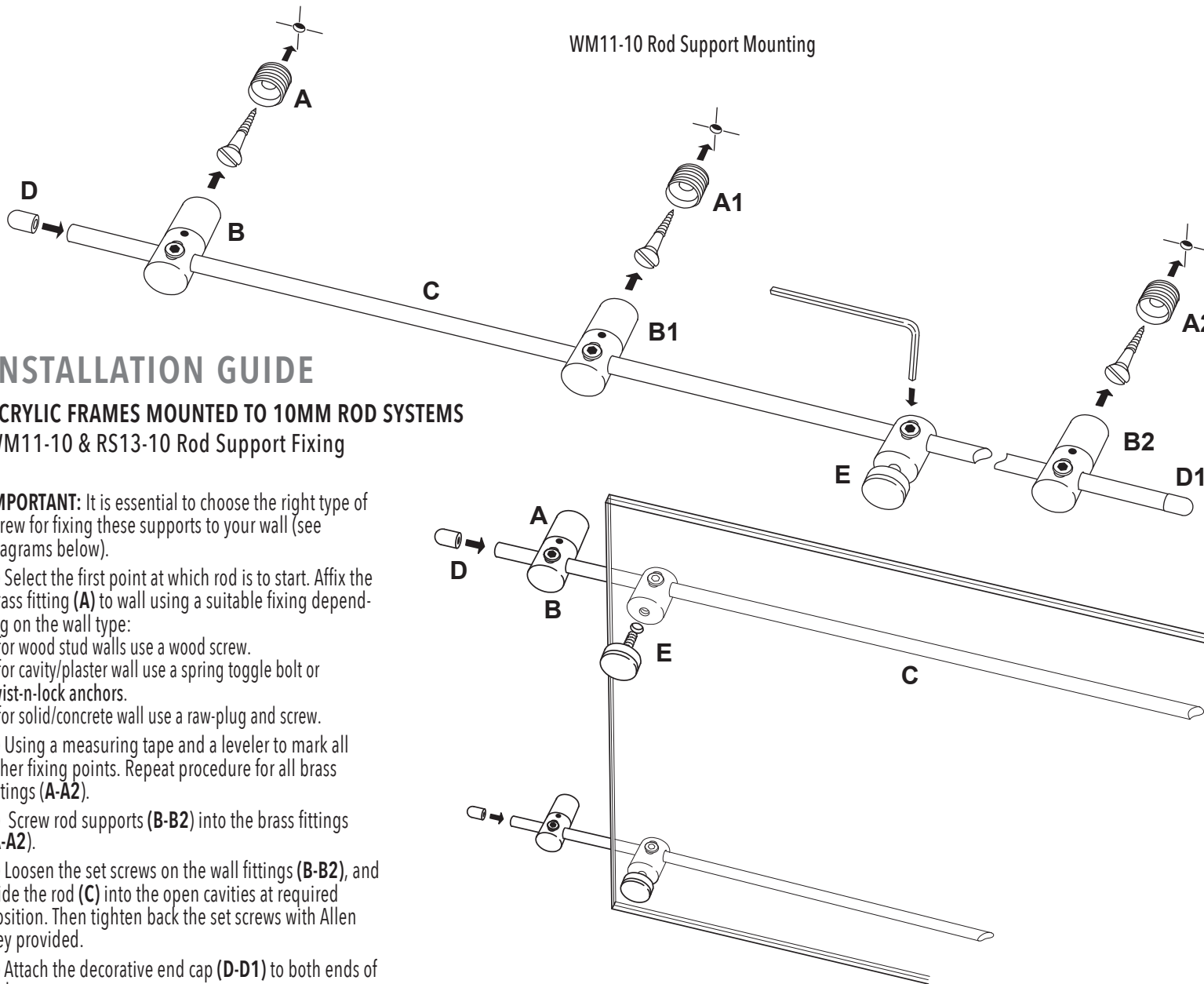
Title: Info/Poster Wall Display

Installation Guide

ID: DC2207-INST

NOTE: It is important to check the strength of the wall fixing(s). Nova Display Systems takes no responsibility for incorrect installation. This responsibility relies with the installer.

WM11-10 Rod Support Mounting



INSTALLATION GUIDE

ACRYLIC FRAMES MOUNTED TO 10MM ROD SYSTEMS WM11-10 & RS13-10 Rod Support Fixing

IMPORTANT: It is essential to choose the right type of screw for fixing these supports to your wall (see diagrams below).

1) Select the first point at which rod is to start. Affix the brass fitting (A) to wall using a suitable fixing depending on the wall type:

- for wood stud walls use a wood screw.
- for cavity/plaster wall use a spring toggle bolt or twist-n-lock anchors.
- for solid/concrete wall use a raw-plug and screw.

2) Using a measuring tape and a leveler to mark all other fixing points. Repeat procedure for all brass fittings (A-A2).

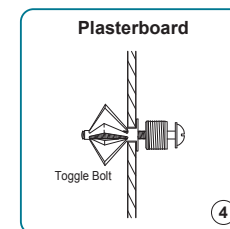
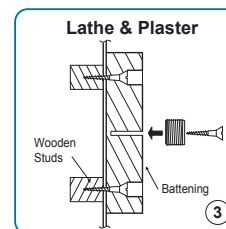
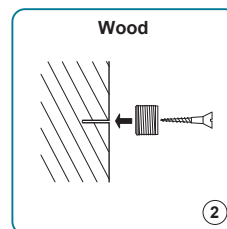
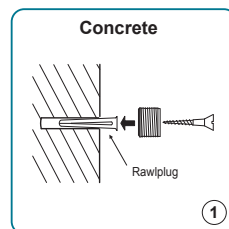
3) Screw rod supports (B-B2) into the brass fittings (A-A2).

4) Loosen the set screws on the wall fittings (B-B2), and slide the rod (C) into the open cavities at required position. Then tighten back the set screws with Allen Key provided.

5) Attach the decorative end cap (D-D1) to both ends of rod.

6) Attach your acrylic accessories to the rod using the panel support with M4 stud (E).

NOTE: For lightweight display components such as small and medium size acrylic frames and holders Nova Display Systems provides twist-n-lock anchors. It is at your discretion to use the anchors provided or use similar product rated for 50 to 75 lb weight limit.



Note: This drawing is the property of Nova Display Systems and is not to be reproduced or copied in whole or in part. It is only to be used for the project and site specifically identified herein and is not to be used on any other projects, or for the purpose of manufacturing and reproduction. It is to be returned upon request.

Sheet:

Page: 1 of 1

Scale: n/a